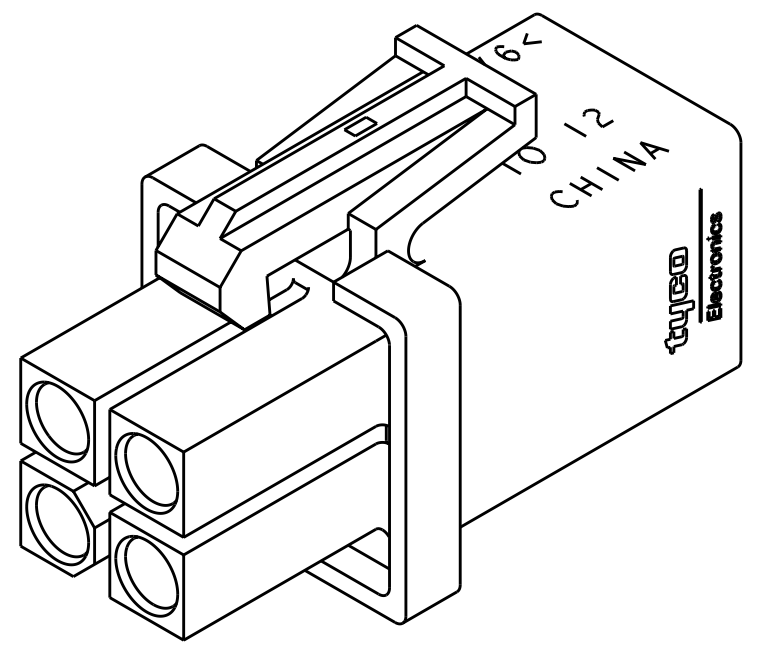
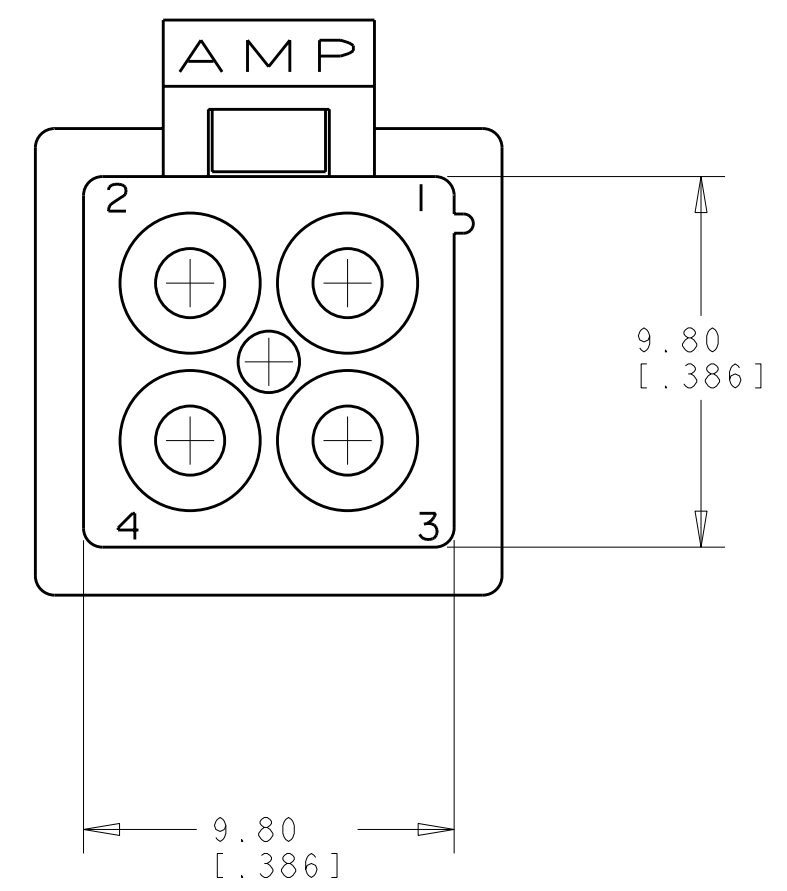
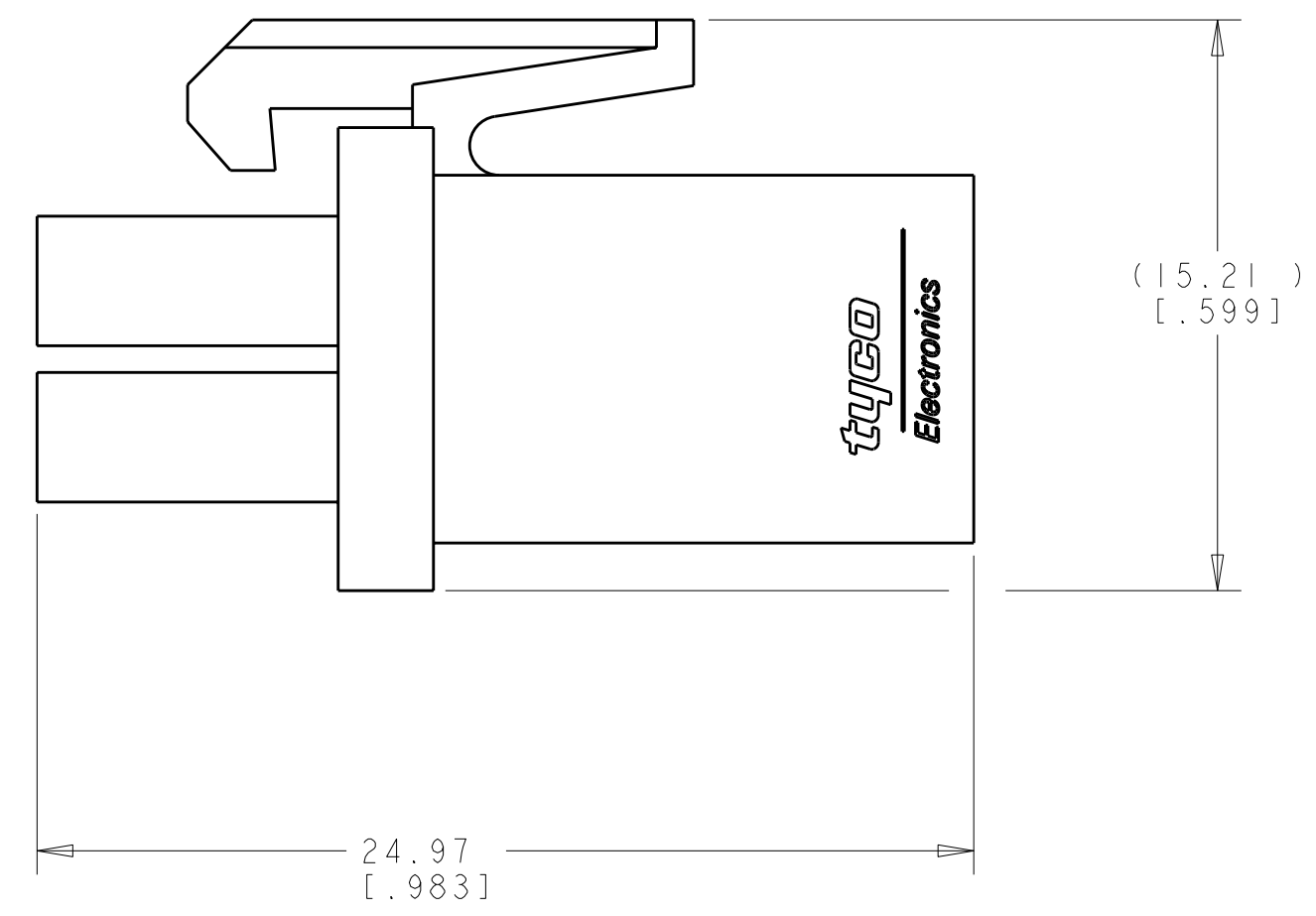
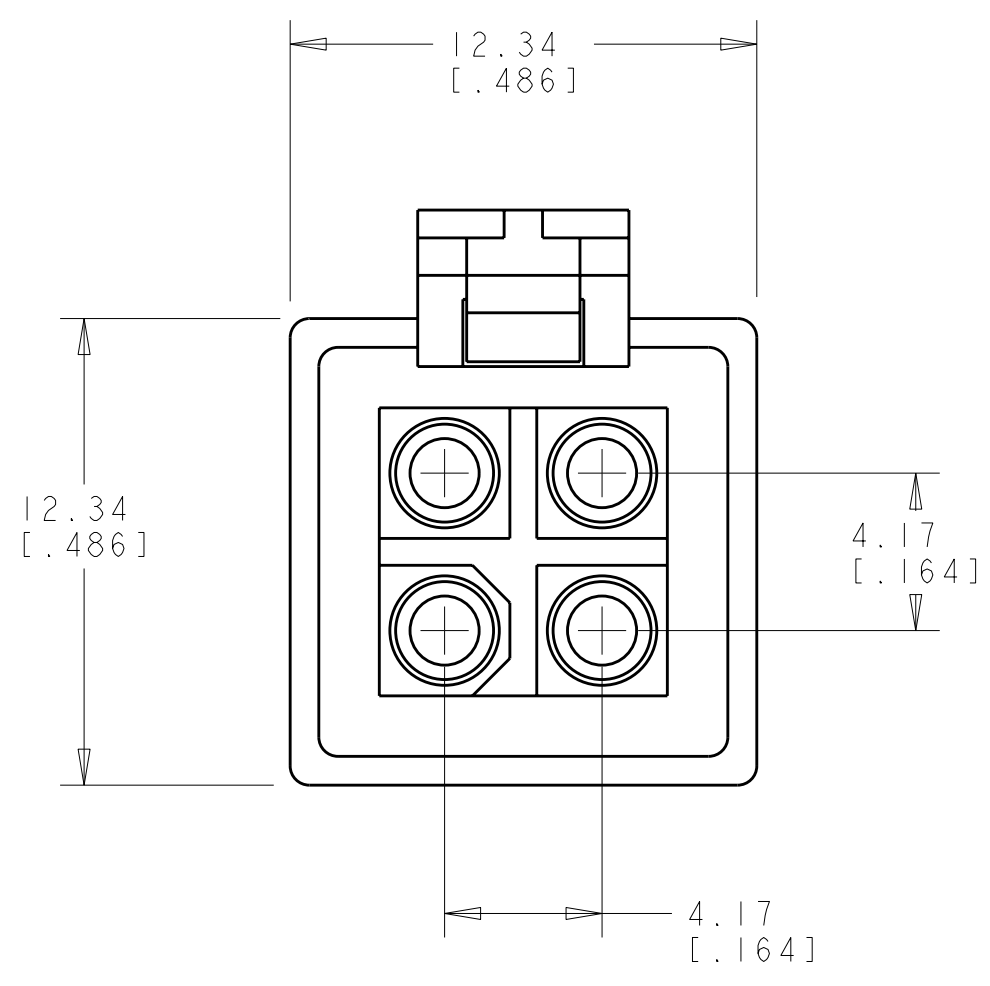


THIS DRAWING IS UNPUBLISHED. RELEASED FOR PUBLICATION 20
 © COPYRIGHT 20 BY - ALL RIGHTS RESERVED.

LOC	DIST	REVISIONS			
P	LTR	DESCRIPTION	DATE	DWN	APVD
CM	00	B1	REVISD PER ECO-11-005027	16MAR2011	RK HMR

1. DIMENSIONS IN BRACKETS ARE IN INCHES.



3 DIMENSIONAL MODEL
 SCALE 4:1

METRIC

794805-1
 PART NUMBER

THIS DRAWING IS A CONTROLLED DOCUMENT.		DWN K. WHITAKER	LOMAY2000	STE TE Connectivity	
DIMENSIONS: mm [INCHES]		CHK K. COBLE	TOMAY2000		
TOLERANCES UNLESS OTHERWISE SPECIFIED:		APVD K. COBLE	TOMAY2000	NAME PLUG, 4 CIRCUIT, MINI UNIVERSAL MATE-N-LOK(TM)	
0 PLC ±	1 PLC ±	PRODUCT SPEC		SIZE	RESTRICTED TO
2 PLC ±0.13 [.005]	3 PLC ±	APPLICATION SPEC		CAGE CODE	
4 PLC ±	ANGLES ±0° 30'	WEIGHT		DRAWING NO	
MATERIAL NYLON, UL94V-0, WHITE	FINISH	CUSTOMER DRAWING		A200779	794805
			SCALE 5:1	SHEET 1 OF 1	REV B1